

# UKT0011 Portable Battery System

## Technical Datasheet

### The Ultralife Batteries Advantage

Through our engineering and collaborative approach to problem solving, we serve government, defense and commercial customers across the globe.



The UKT0011 is a portable power system that will deliver primary 24 to 33VDC power through shore power while charging the Battery Box or while keeping the Battery Box at full charge. The UKT0011 consists of a Battery Box and a Charger Box. The System runs on a Universal AC or 25-33VDC input. The System, loaded with 6 to 12 UBBL10 or UBBL13 batteries, will provide output power in the event of a primary power failure.

### APPLICATIONS

- Large power emplacements
- Backup power applications

### TEST COMPLIANCES

- Mil-STD-810F: Non-Operational Vibration, Mechanical Shock, Sand/Dust, Humidity, Fungus
- SAE J1455: Operation Vibration
- Mil-STD-1275C: Spikes and Surges, Input Power

### SPECIFICATIONS

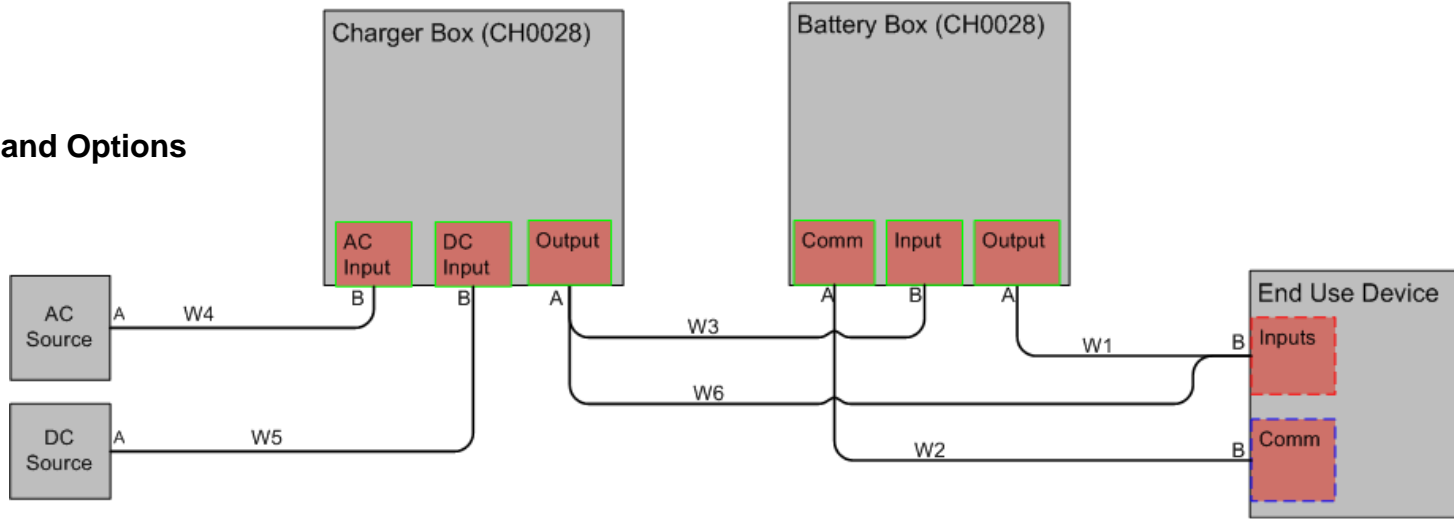
<b>Part No</b>	UKT0011
<b>Size</b>	19.2" L (including handles) x 12.6" W (including handles) x 19" H
<b>Weight</b>	<b>System:</b> 84lbs. including batteries <b>Charger Box:</b> 30lbs. <b>Battery Box:</b> 54lbs. including batteries; 17lbs. w/o batteries
<b>Input Voltage</b>	85-265VAC, 50-60Hz 25-33VDC per MIL-STD-1275
<b>Output Voltage Range</b>	24 to 33VDC, 28.8VDC Nominal
<b>Energy</b>	2.5KWh or 3.1KWh (Depending on selected battery)
<b>Output Power</b>	500W Continuous, 700W Peak (Fully Populated)
<b>Exterior/Housing</b>	Aluminum Enclosure
<b>Operating Temperature</b>	Discharge: -20°C to 60°C Charge: 0°C to 60°C
<b>Storage Temperature</b>	-32°C to 60°C
<b>Communication</b>	UDP over Ethernet
<b>State of Charge Indicator</b>	2 Digit Numeric
<b>Mounting</b>	Non-slip friction pad. For alternate mounting, please contact Ultralife.
<b>Accessories</b>	(see next page for configuration options)

### FEATURES

- Large energy density for extended runtimes
- Rugged case construction
- Utilizes UBBL10/13 Smart Battery Technology
- State of Charge display of total box capacity
- Provides Shore Power and Charges Batteries simultaneously.
- Charger Box can be used as stand alone Shore Power Supply
- Balancing electronics ensures full power usage
- Ethernet communication of status and SOC
- Polls the SMBus data from installed batteries
- 28V charge output, current scaled per shore power requirements
- With UBBL10 batteries installed the Battery Box will provide 81.6Ah @250W
- With UBBL13 batteries installed the Battery Box will provide 104.4Ah @250W

**Batteries ordered separately.**

**UKT0011-XX**  
**Configurations and Options**



Order with suffix for desired configuration

Cable Key	End Connector (A)	End Connector (B)	PN	Description	UKT0011-01	UKT0011-02	UKT0011-03	UKT0011-04	UKT0011-05
W1	D38999/26WE6PA	D38999/26WE6SN	UCA0043-01	CABLE PWR, BATT BOX, A-KEY 5'	x				x
			UCA0043-02	CABLE PWR, BATT BOX, A-KEY 3'	x				
		Flying leads	UCA0078	CABLE PWR. BATT BOX, FLYING LD			x	x	
W2	RJ45	RJ45	CA0033-01	CABLE ASSY,ETHERNET CH27&28 5'	x			x	x
			CA0033-02	CABLE ASSY,ETHERNET CH27&28 3'	x		x		
			UCA0040	CABLE, ETHERNET, CH0027&28, 7'	x		x	x	x
W3	D38999/26WG16PN	D38999/26WG16SA	UCA0042	CABLE, BATT CHARGE, A-KEY	x	x	x	x	x
W4	US AC Line Cord Male Plug	IEC 320 EN 60320 C14 Male	700290	CORD,US,AC,LINE	x		x	x	x
W5	Flying Leads	MS27467T17B6S	UCA0040	CABLE, POWER, DC INPUT	x		x	x	x
W6	D38999/26WG16PN	D38999/26WE6SA	CA0035	CABLE ASSY, DIRECT SHORE POWER	x				x
CHG BOX	N/A	N/A	CH0027	CHARGER, 12 POSITION BATT BOX	x	x	x	x	x
BATT BOX	N/A	N/A	CH0028	BATTERY, BOX, 12 POSITION	x	x	x	x	x