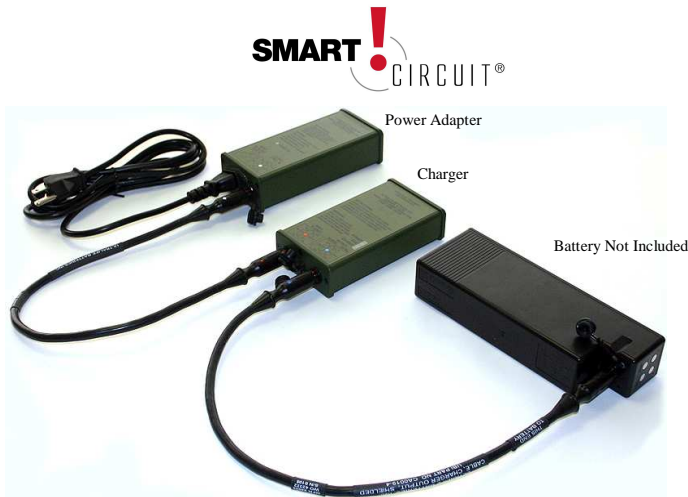


# CH0008 Charging Kit, Soldier Based

## Technical Datasheet

### The Ultralife Batteries Advantage

Through our engineering and collaborative approach to problem solving, we serve government, defense and commercial customers across the globe.



### SPECIFICATIONS

<b>Part No</b>	CH0008
<b>NSN</b>	6130-01-545-1983
<b>Communication</b>	SMBus spec v1.1, Level 3 smart charger
<b>Kit Includes</b>	CH0010 - Power Adapter CH0011 - Charger Module CA0018 - Umbilical Cable - 2ft CA0019 - Charge Cable - 2ft 700290 - AC Line Cord - 7.6ft
<b>Power Adapter (CH0010)</b>	<b>Input Power</b> - 90-264 VAC, 50-60 Hz <b>Output Power</b> - 15.0 VDC, 4.0 A
<b>Charger Module (CH0011)</b>	<b>Input Power</b> - 8.0 – 33.0 VDC <b>Output Power</b> - 16.8 VDC, 2.0 A
<b>Input Power Connector</b>	IEC 320 EN 60320 C13 Female (North American Standard)
<b>Dimensions</b>	Power Adapter (CH0010) - 1.65" x 2.85" x 6.6" Charger Module (CH0011) - 1.4" x 3.2" x 6.35"
<b>Weights</b>	Charging Kit (CH0008) - 1.5 Kg (3.37 lb)
<b>Exterior/Housing/Color</b>	Aluminum Green #34094 per FED-STD-595 CARC (Chemical Agent Resistant Coating)
<b>Operating Temp</b>	-32°C to 55°C
<b>Storage Temp</b>	-32°C to 71°C
<b>Export License</b>	ITAR (International Traffic in Arms Regulations) export license required to export from U.S.
<b>Power Adapter Accessories</b>	CA0009 DC Output Cable, Flying Leads CA0022 DC Output Cable, Shielded, Flying Leads
<b>Portable Charger Accessories</b>	CA0025 Alligator Clip lead power Cable CA0013 Input power cable, Flying Leads  For custom cables & options not listed, contact Ultralife.

### BENEFITS

- Man-Portable system designed to be stowed in pack
- Charges UBBL06/UBBL08 safely and efficiently with battery & charger communicating for optimum charging
- Kit contains charger, power supply and required cables

### FEATURES

- Smart charger, Level 3
- Wide input voltage (can take range of global frequencies and voltages)
- Rugged, olive drab (CARC-chemical agent resistant coating) sealed aluminum cases, push/pull type connectors
- Charge Module LED display- charge, idle power
- EMI compliance (MIL-STD-461E)
- 28V DC Military Vehicle Systems Compliant (MIL-STD-1275)
- Environmentally Tested per MIL-STD-810E (specific sections - contact Ultralife for details)

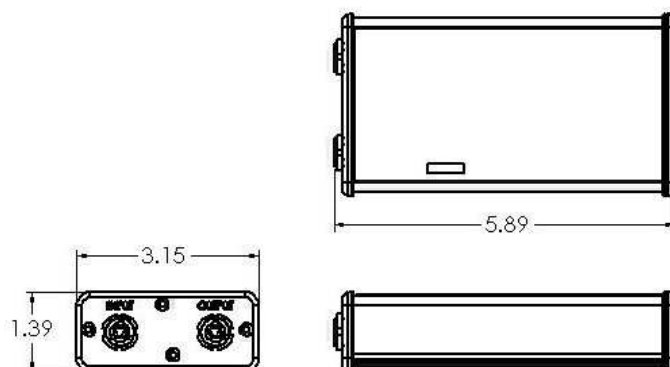
### APPLICATIONS

- Soldier based charger for UBBL06, UBBL08 battery
- Other military or forward-situation (e.g. emergency response) applications

**SmartCircuit**® Providing Advanced solutions not available from traditional batteries and chargers.

**DIMENSIONS**

**POWER ADAPTER (CH0010)**



**CHARGER MODULE (CH0011)**

